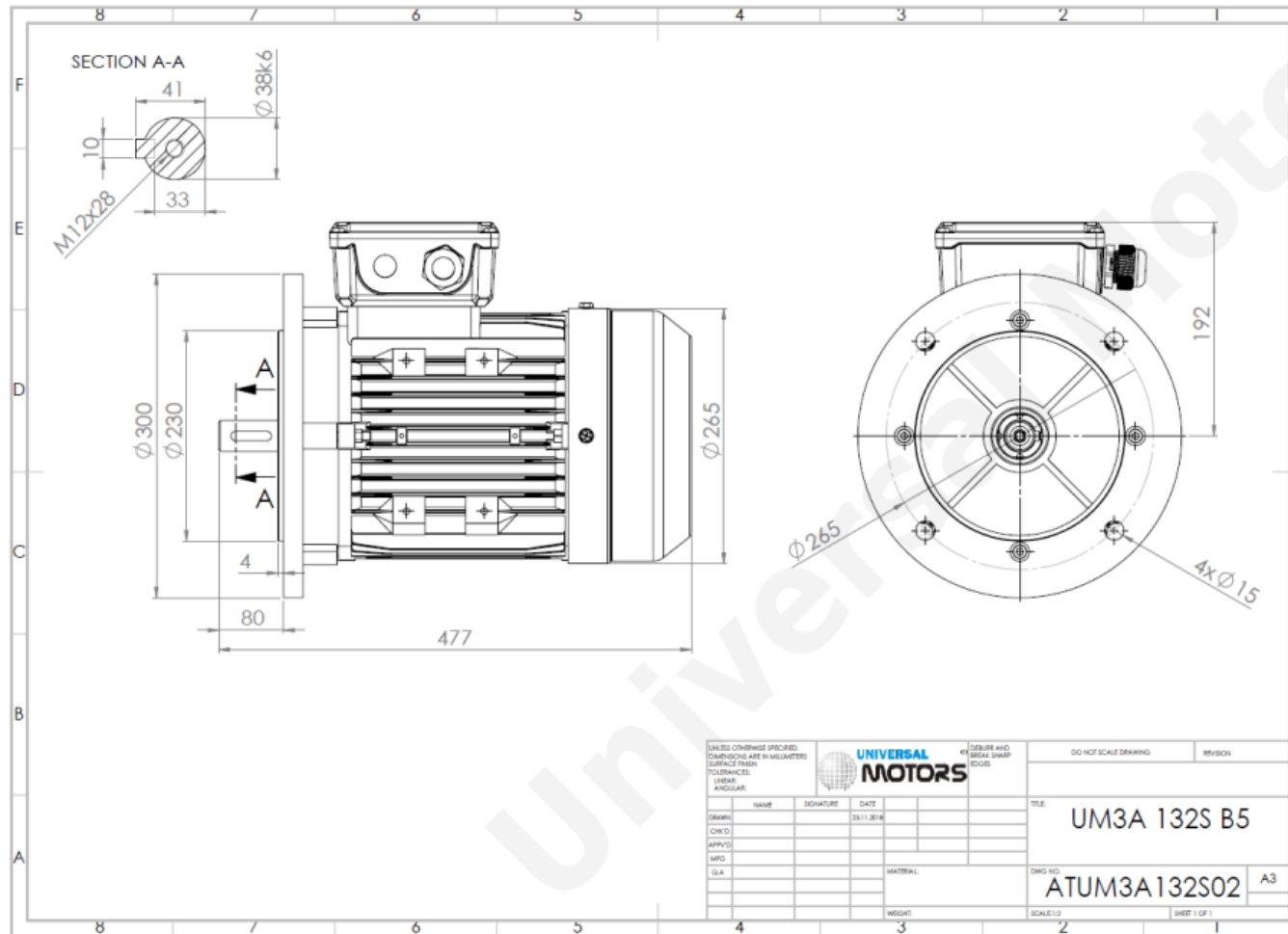




TECHNICAL DATA

Three Phase Electric Motors - Aluminum Frame
 UM3A 132S-4
 5.5 kW / 7.5 Cv
 1455 RPM



Motor type:	UM3A 132S-4
Output:	5.5 kW / 7.5 Cv
Speed (min ⁻¹):	1455 RPM
Voltage:	400 V
Frequency:	50 Hz
Current:	10.8 A
Power factor (Cos Ø):	0.82
Poles:	4
Insulation class:	F
Temperature rise Class:	B
Efficiency 50%:	87.8 %
Efficiency 75%:	88.7 %
Efficiency 100%:	89.6 %
Torque:	36.1 N.m
Tstarting/Tnominal:	2.0
Istarting/Inominal:	7.5
Tmaximum/Tnominal:	2.3
Noise:	75 Db(A)
Weight:	51 Kg
Bearing DE:	6308 2Z C3
Bearing NDE:	6308 2Z C3

Beatson Fans & Motors Ltd
 0114 2449955
www.beatson.co.uk
sales@beatson.co.uk