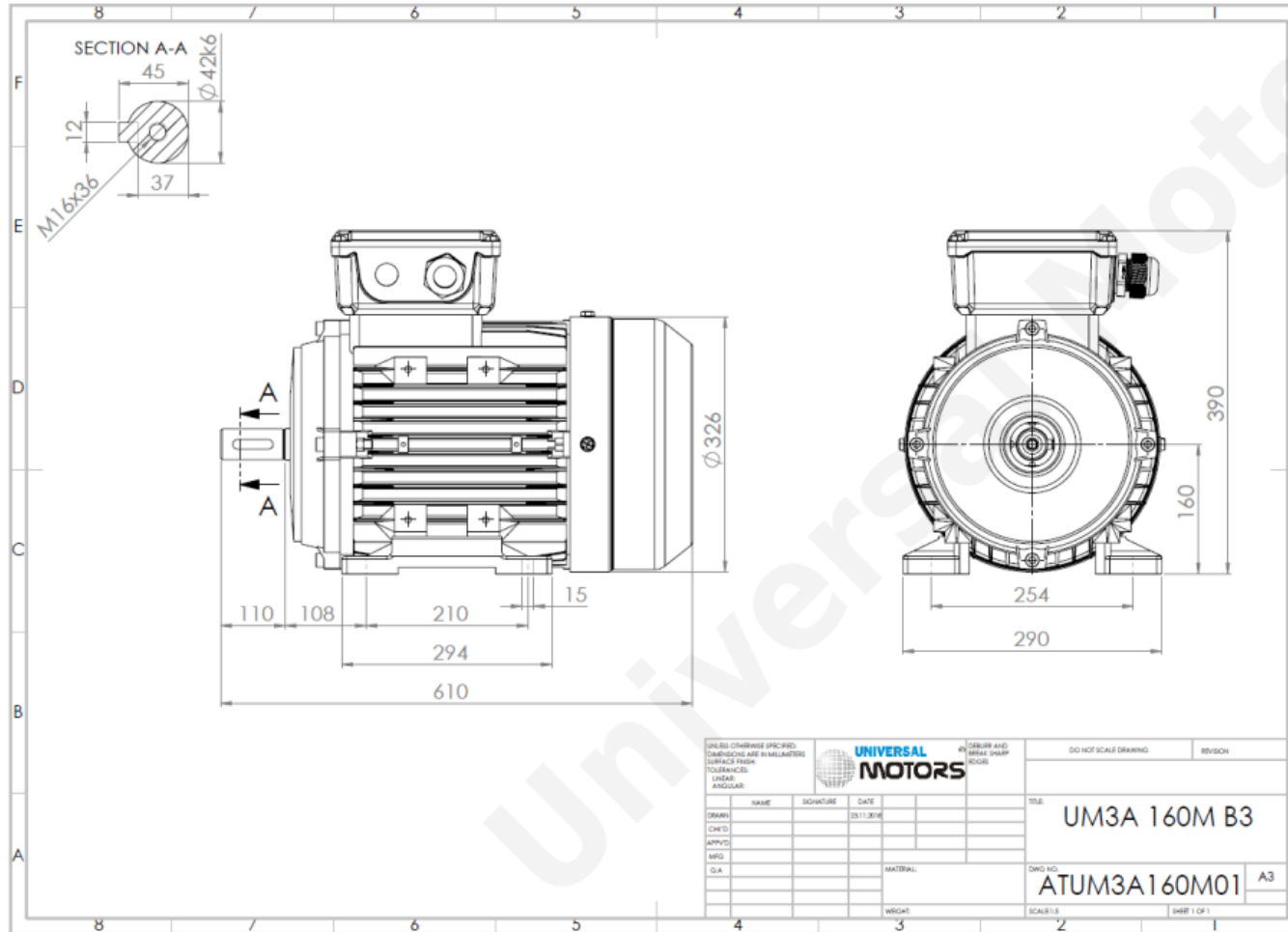




# TECHNICAL DATA

Three Phase Electric Motors - Aluminum Frame  
 UM3A 160MX-2 IE3  
 15 kW / 20 Cv  
 2935 RPM



Motor type:	<b>UM3A 160MX-2 IE3</b>
Output:	<b>15 kW / 20 Cv</b>
Speed (min <sup>-1</sup> ):	<b>2935 RPM</b>
Voltage:	<b>400 V</b>
Frequency:	<b>50 Hz</b>
Current:	<b>26.5 A</b>
Power factor (Cos Ø):	<b>0.89</b>
Poles:	<b>2</b>
Insulation class:	<b>F</b>
Temperature rise Class:	<b>B</b>
Efficiency 50%:	<b>90.1 %</b>
Efficiency 75%:	<b>91.0 %</b>
Efficiency 100%:	<b>91.9 %</b>
Torque:	<b>48.8 N.m</b>
Tstarting/Tnominal:	<b>2.2</b>
Istarting/Inominal:	<b>8.0</b>
Tmaximum/Tnominal:	<b>2.3</b>
Noise:	<b>87 Db(A)</b>
Weight:	<b>102 Kg</b>
Bearing DE:	<b>6309 2Z C3</b>
Bearing NDE:	<b>6309 2Z C3</b>

Beatson Fans & Motors Ltd  
 0114 2449955  
[www.beatson.co.uk](http://www.beatson.co.uk)  
[sales@beatson.co.uk](mailto:sales@beatson.co.uk)