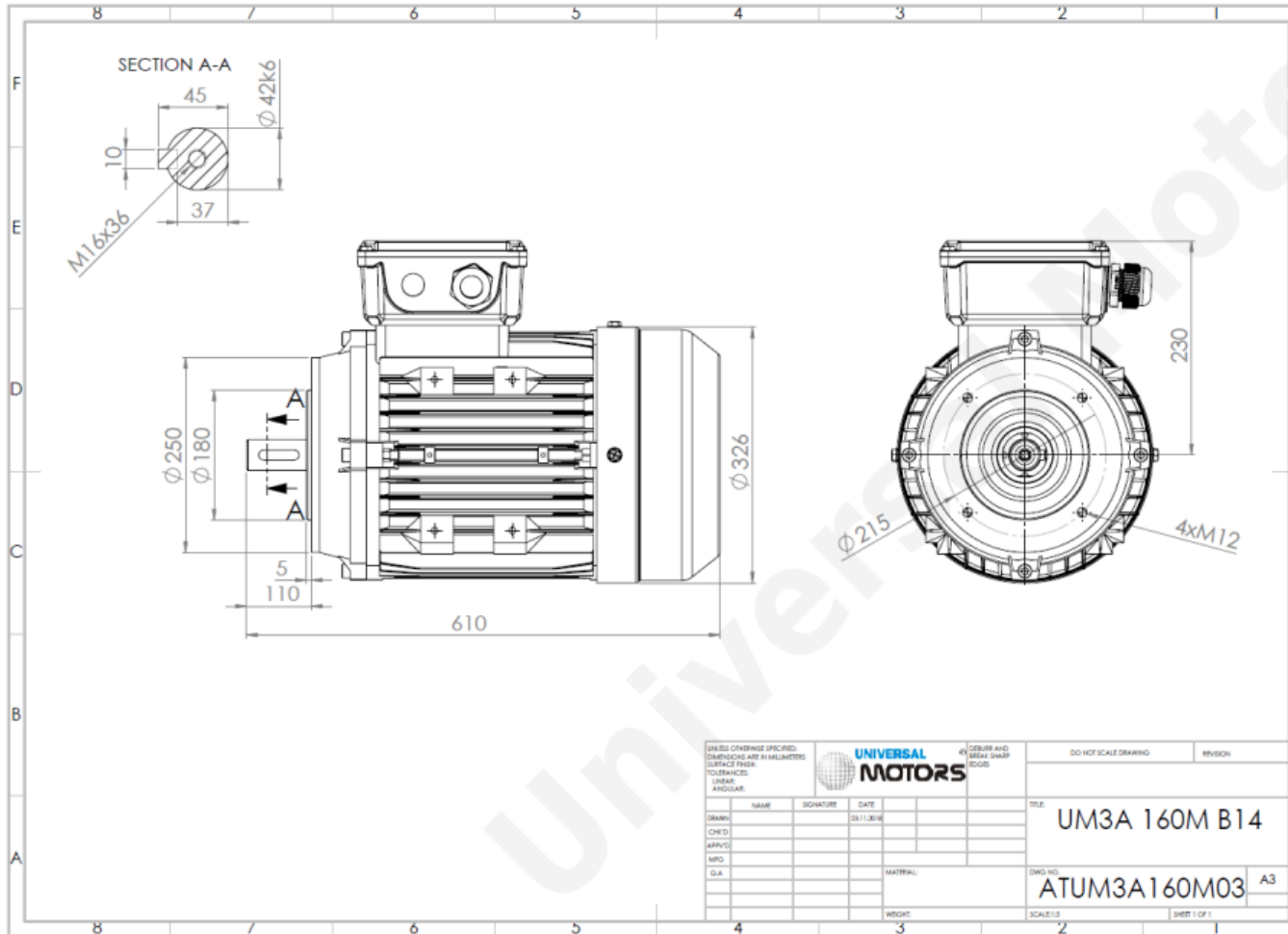




# TECHNICAL DATA

Three Phase Electric Motors - Aluminum Frame  
 UM3A 160MX-2 IE3  
 15 kW / 20 Cv  
 2935 RPM



Motor type:	UM3A 160MX-2 IE3
Output:	15 kW / 20 Cv
Speed (min <sup>-1</sup> ):	2935 RPM
Voltage:	400 V
Frequency:	50 Hz
Current:	26.5 A
Power factor (Cos Ø):	0.89
Poles:	2
Insulation class:	F
Temperature rise Class:	B
Efficiency 50%:	90.1 %
Efficiency 75%:	91.0 %
Efficiency 100%:	91.9 %
Torque:	48.8 N.m
Tstarting/Tnominal:	2.2
Istarting/Inominal:	8.0
Tmaximum/Tnominal:	2.3
Noise:	87 Db(A)
Weight:	102 Kg
Bearing DE:	6309 2Z C3
Bearing NDE:	6309 2Z C3

Beatson Fans & Motors Ltd  
 0114 2449955  
[www.beatson.co.uk](http://www.beatson.co.uk)  
[sales@beatson.co.uk](mailto:sales@beatson.co.uk)

UNLESS OTHERWISE SPECIFIED, DIMENSIONS ARE IN MILLIMETERS.			UNIVERSAL MOTORS	DO NOT SCALE DRAWING	REVISION
SURFACE FINISH: LINEAR: ANGULAR:					
DRWN:	NAME:	SIGNATURE:	DATE:	TITLE:	
CHTD:				UM3A 160M B14	
APPV:				DWG NO:	ATUM3A160M03 A3
MFO:				SCALE:	1:1
QA:				WEIGHT:	
					SHEET 1 OF 1