



TCBBX2/TCBTX2

5605765200 - TCBBX2/4-630 (230V50HZ) V5 - CYLINDRICAL CASED AXIAL FLOW FANS



Cased axial fan . Casing manufactured from galvanised sheet steel. Fitted with 2 contrarotating fan assemblies with aluminium blades. Single phase - IP65 - F motor with thermal protector and terminal box with capacitor out of the air stream. Brand S&P model TCBBX2/4-630 (230V50HZ) V5 for an airflow 15.823 m³/h and static pressure 50,0 Pa.

Theoretical Working Point

Airflow	15.826 m ³ /h
Static Pressure	50 Pa
Temperature	20 °C
Altitude	0 m
Density	1,2 kg/m ³
Frequency	50 Hz

Working Point

Airflow	15.823 m ³ /h
Static Pressure	50,0 Pa
Dynamic pressure	120 Pa
Total Pressure	170 Pa
Input power	2,69 kW
Outlet speed	14,1 m/s
Fan speed	1382 rpm
Specific Fan Power	0,61 W/l/s

Construction

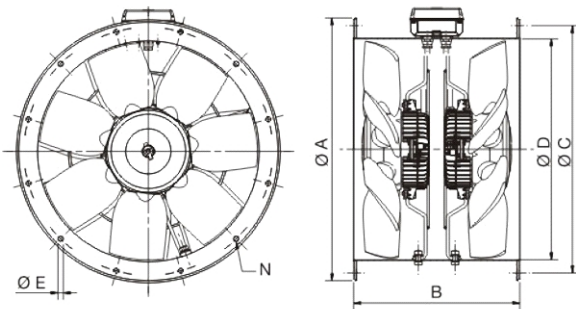
Discharge diameter	630 mm
Fan size	630
Blades	7
Weight	80,00 kg

Motor Characteristics

Number of poles	4
Voltage	1-230V-50Hz
Maximum absorbed current	16,2 A
IP Rating	IP65
Motor insulation class	F

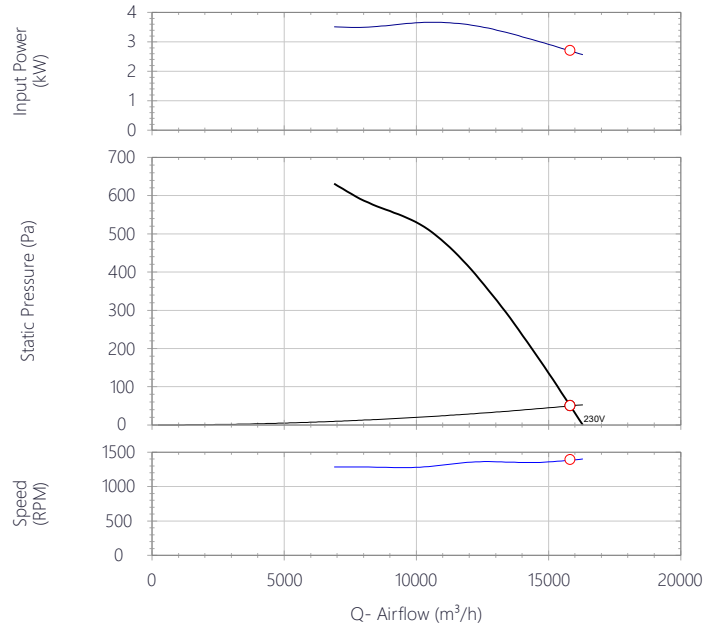
Warning

Drawing



A	B	C	D	E	N
725	520	690	630	12	12

Performance Chart



Sound Performance

	63	125	250	500	1k	2k	4k	8k	Overall
Inlet (LwA)	52	85	89	89	92	87	80	74	96
Inlet LpA @ 1,5m	38	70	75	74	78	72	65	59	82
Outlet (LwA)	72	87	87	92	95	89	83	77	98
Outlet LpA @ 1,5m	58	72	73	78	80	74	68	62	84