



TCBBX2/TCBTX2

5605767200 - TCBBX2/4-560 (230V50HZ) V5 - CYLINDRICAL CASED AXIAL FLOW FANS



Cased axial fan . Casing manufactured from galvanised sheet steel. Fitted with 2 contrarotating fan assemblies with aluminium blades. Single phase - IP65 - F motor with thermal protector and terminal box with capacitor out of the air stream. Brand S&P model TCBBX2/4-560 (230V50HZ) V5 for an airflow 3,76 m³/s and static pressure 50,0 Pa.

Theoretical Working Point

Airflow	3,76 m ³ /s
Static Pressure	50 Pa
Temperature	20 °C
Altitude	0 m
Density	1,2 kg/m ³
Frequency	50 Hz

Working Point

Airflow	3,76 m ³ /s
Static Pressure	50,0 Pa
Dynamic pressure	140 Pa
Total Pressure	190 Pa
Input power	2,28 kW
Outlet speed	15,3 m/s
Fan speed	1360 rpm
Specific Fan Power	0,61 W/l/s

Construction

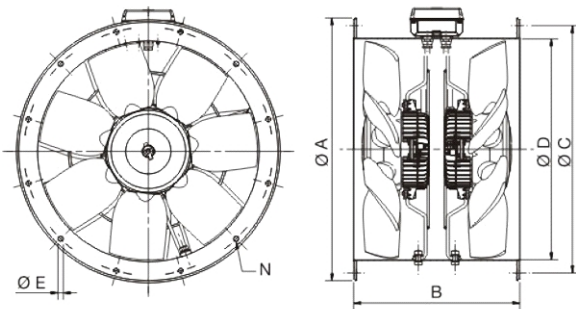
Discharge diameter	560 mm
Fan size	560
Blades	7
Weight	66,00 kg

Motor Characteristics

Number of poles	4
Voltage	1-230V-50Hz
Maximum absorbed current	13,6 A
IP Rating	IP65
Motor insulation class	F

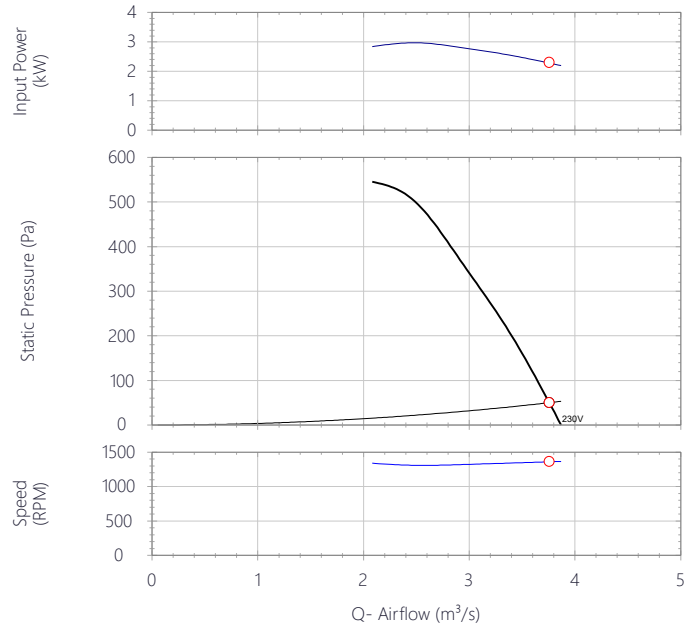
Warning

Drawing



A	B	C	D	E	N
655	520	620	560	12	12

Performance Chart



Sound Performance

	63	125	250	500	1k	2k	4k	8k	Overall
Inlet (LwA)	51	84	86	88	91	85	78	73	95
Inlet LpA @ 1,5m	36	70	72	73	76	70	63	58	80
Outlet (LwA)	73	85	85	91	94	88	81	75	97
Outlet LpA @ 1,5m	59	71	70	76	79	73	66	60	82



TCBBX2/TCBTX2

5605767200 - TCBBX2/4-560 (230V50HZ) V5 - CYLINDRICAL CASED AXIAL FLOW FANS

ErP Data

Maximum efficiency %]	41,9
Installation type	C
Category efficiency	Static
N	N45,2
Variable speed drive	+
Year of manufacture	Product Rating Plate
Manufacturer's Info	S&P
Product code	5605767200
Input power at optimum efficiency point (kW)	2,970
Airflow at optimum efficiency point [m3/h]	8.741
Pressure at optimum efficiency point [Pa]	513
Speed at optimum efficiency point	1311
Specific Ratio	1
Recycling/disposal	Instruction Manual
Maintenance	Instruction Manual
Additional components	Catalogue and according to ISO 5801