



COMPACT TCBB/TCBT ALUMINIUM IMPELLERS

5604636300 - TCBB/4-500/H-B (230V50HZ) V5 - CYLINDRICAL CASED AXIAL FLOW FANS



Cased axial fan with aluminium blades. Casings formed from rolled sheet steel with a corrosion resistant. Single phase, IP65, F motor with thermal protector. Terminal box out of the air stream with a capacitor. Brand S&P model TCBB/4-500/H-B (230V50HZ) V5 for an airflow 2,01 m³/s and static pressure 25,0 Pa.

Theoretical Working Point

Airflow	2,02 m ³ /s
Static Pressure	25,0 Pa
Temperature	20 °C
Altitude	0 m
Density	1,2 kg/m ³
Frequency	50 Hz

Working Point

Airflow	2,01 m ³ /s
Static Pressure	25,0 Pa
Dynamic pressure	64 Pa
Total Pressure	89 Pa
Input power	0,521 kW
Outlet speed	10,3 m/s
Fan speed	1403 rpm
Specific Fan Power	0,26 W/l/s

Construction

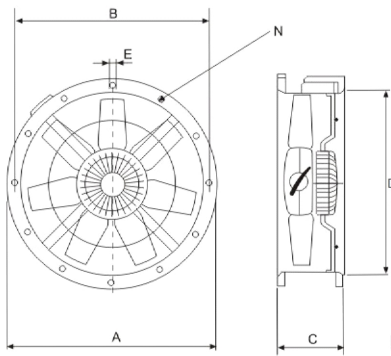
Discharge diameter	500 mm
Fan size	500
Blades	6
Weight	25,00 kg

Motor Characteristics

Number of poles	4
Voltage	1-230V-50Hz
Maximum absorbed current	2,8 A
IP Rating	IP65
Motor insulation class	F

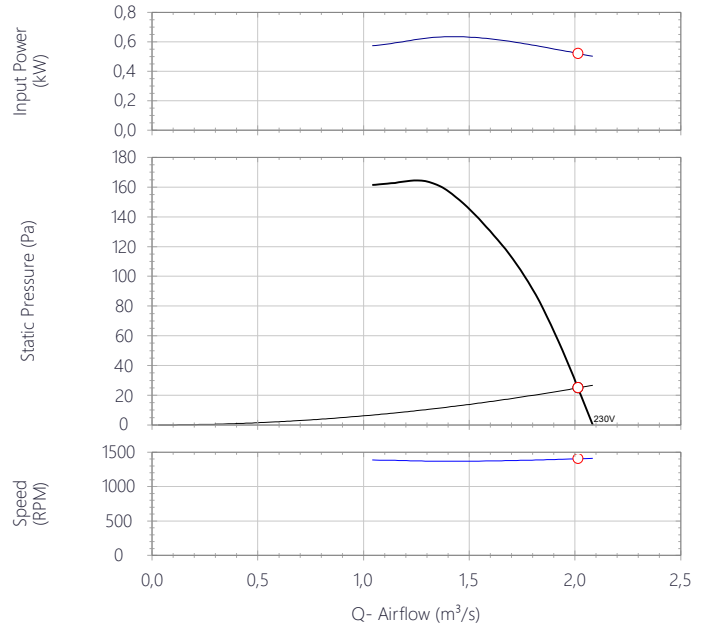
Warning

Drawing



ØA	ØB	C	ØD	ØE	N
595	560	180	500	12	12

Performance Chart



Sound Performance

	63	125	250	500	1k	2k	4k	8k	Overall
Inlet (LwA)	50	62	69	75	77	75	71	63	81
Inlet LpA @ 1,5m	35	47	54	60	62	60	56	48	67



COMPACT TCBB/TCBT ALUMINIUM IMPELLERS

5604636300 - TCBB/4-500/H-B (230V50HZ) V5 - CYLINDRICAL CASED AXIAL FLOW FANS

ErP Data

Maximum efficiency %	34,5
Installation type	C
Category efficiency	Static
N	N42,1
Variable speed drive	+
Year of manufacture	Product Rating Plate
Manufacturer's Info	S&P
Product code	5604636300
Input power at optimum efficiency point (kW)	0,636
Airflow at optimum efficiency point [m ³ /h]	5.075
Pressure at optimum efficiency point [Pa]	156
Speed at optimum efficiency point	1367
Specific Ratio	1
Recycling/disposal	Instruction Manual
Maintenance	Instruction Manual
Additional components	Catalogue and according to ISO 5801