



# COMPACT TCBB/TCBT ALUMINIUM IMPELLERS

5705079800 - TCBB/4-315/H-B 230V50HZ VE - CYLINDRICAL CASED AXIAL FLOW FANS



Cased axial fan with aluminium blades. Casings formed from rolled sheet steel with a corrosion resistant. Single phase, IP54, F motor with thermal protector. Terminal box out of the air stream with a capacitor. Brand S&P model TCBB/4-315/H-B 230V50HZ VE for an airflow 0,501 m<sup>3</sup>/s and static pressure 25,0 Pa.

## Theoretical Working Point

Airflow	0,501 m <sup>3</sup> /s
Static Pressure	25,0 Pa
Temperature	20 °C
Altitude	0 m
Density	1,2 kg/m <sup>3</sup>
Frequency	50 Hz

## Working Point

Airflow	0,501 m <sup>3</sup> /s
Static Pressure	25,0 Pa
Dynamic pressure	24,3 Pa
Total Pressure	49,3 Pa
Input power	0,101 kW
Outlet speed	6,3 m/s
Fan speed	1424 rpm
Specific Fan Power	0,20 W/l/s

## Construction

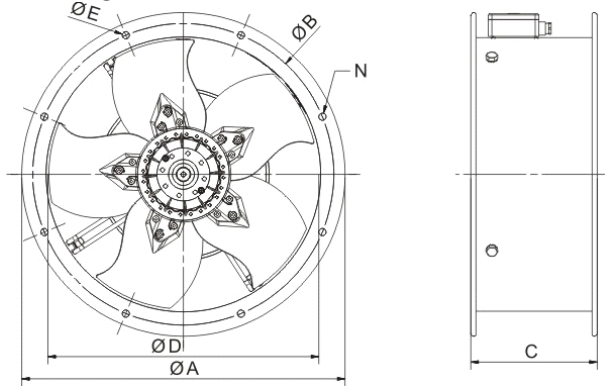
Discharge diameter	315 mm
Fan size	315
Blades	5
Weight	11,00 kg

## Motor Characteristics

Number of poles	4
Voltage	1-230V-50Hz
Maximum absorbed current	0,6 A
IP Rating	IP54
Motor insulation class	F

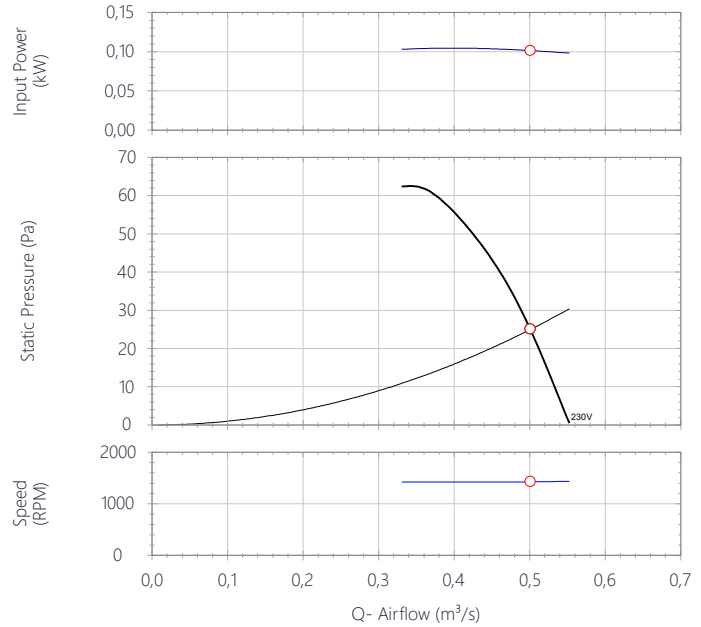
## Warning

## Drawing



ØA	ØB	C	ØD	ØE	N
386	355	170	315	10	8

## Performance Chart



## Sound Performance

	63	125	250	500	1k	2k	4k	8k	Overall
Inlet (LwA)	38	49	43	51	57	57	49	41	62
Inlet LpA @ 1,5m	24	35	29	37	43	43	35	27	47



# COMPACT TCBB/TCBT ALUMINIUM IMPELLERS

5705079800 - TCBB/4-315/H-B 230V50HZ VE - CYLINDRICAL CASED AXIAL FLOW FANS

## ErP Data

Maximum efficiency %	27,6
Installation type	D
Category efficiency	Total
N	N40,1
Variable speed drive	+
Year of manufacture	Product Rating Plate
Manufacturer's Info	S&P
Product code	5705079800
Input power at optimum efficiency point (kW)	0,104
Airflow at optimum efficiency point [m <sup>3</sup> /h]	1.564
Pressure at optimum efficiency point [Pa]	66
Speed at optimum efficiency point	1419
Specific Ratio	1
Recycling/disposal	Instruction Manual
Maintenance	Instruction Manual
Additional components	Catalogue and according to ISO 5801