

## Louvre Shutters Standard Spec

### MOUNTING ACCESSORIES Louvre back draft shutters



From 100 up to 500 models\*

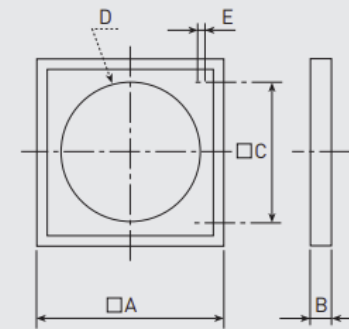


From 560 up to 1000 models\*

### PER-W

Louvre back draft shutters manufactured totally from UV stabilized plastic material.  
Colour: Light grey (RAL 7035)

| Model     | Ø A | B  | C   | Ø D | Ø E |
|-----------|-----|----|-----|-----|-----|
| PER-100 W | 123 | 12 | 90  | 98  | 4   |
| PER-125 W | 158 | 15 | 110 | 130 | 4   |
| PER-160 W | 178 | 20 | 130 | 152 | 4   |
| PER-200 W | 243 | 21 | 184 | 205 | 5   |
| PER-250 W | 294 | 26 | 233 | 260 | 5   |
| PER-355 W | 394 | 26 | 310 | 360 | 5   |
| PER-400 W | 457 | 26 | 365 | 420 | 5   |
| PER-450 W | 499 | 31 | 395 | 460 | 5   |
| PER-500 W | 548 | 31 | 443 | 510 | 5   |



| Model      | Ø A  | D    | Ø C | B  |
|------------|------|------|-----|----|
| PER-560 W  | 605  | 565  | 522 | 28 |
| PER-630 W  | 696  | 655  | 626 | 31 |
| PER-710 W  | 760  | 720  | 692 | 40 |
| PER-800 W  | 840  | 800  | 772 | 40 |
| PER-1000 W | 1040 | 1000 | 972 | 40 |

